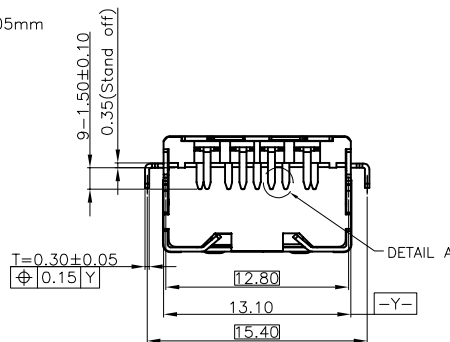
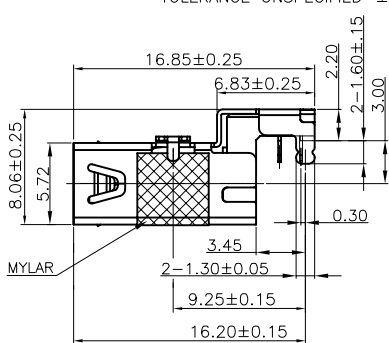
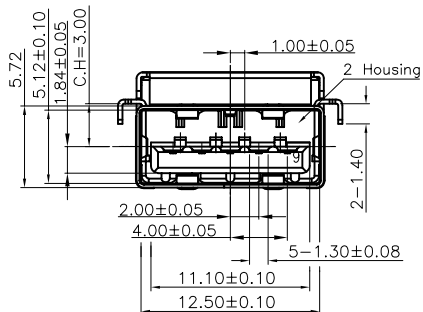
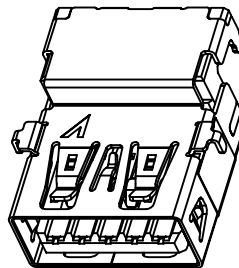
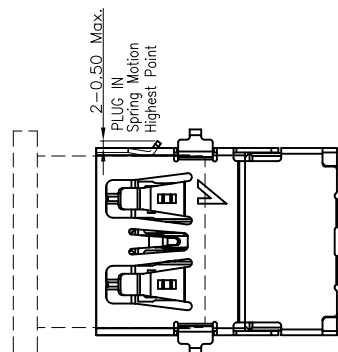
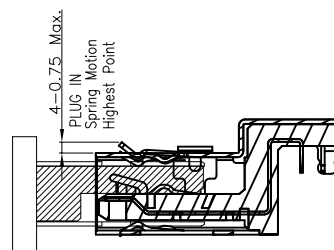
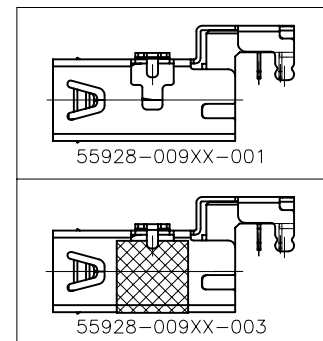
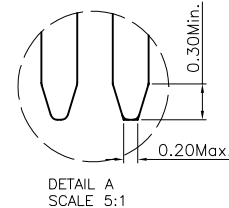


RECOMMENDED PCB LAYOUT(TOP VIEW)  
THICKNESS=1.2mm  
TOLERANCE UNSPECIFIED=±0.05mm



CTKT — HOUSING COLOR  
1: BLACK,W/O SIDE MYLAR  
3: BLACK,W SIDE MYLAR  
PLATING:  
2: GOLD FLASH  
PACKING:  
0: TAPE & REEL



PIN NO.	SIGNAL ASSIGNMENT
PIN 1	VBUS
PIN 2	D-
PIN 3	D+
PIN 4	GND
PIN 5	StdA_SSRX-
PIN 6	StdA_SSRX+
PIN 7	GND_DRAIN
PIN 8	StdA_SSTX-
PIN 9	StdA_SSTX+

NOTES:

- MATERIAL:  
SEE TABLE
- PLATING:  
GOLD FLASH ON MATING AREA, MATTE Sn 60~150u". ON SOLDERING AREA, 80~150u" NICKEL UNDER PLATING OVER ALL.
- THE CAVITY LOGO MAX HEIGHT 0.10mm ABOVE SURFACE. THE TEXT HEIGHT IS ABOUT 1mm.
- IF ANY DIMENSIONS OR DRAFT ANGLES WEREN'T MARKED, PLS. REFER TO 3D DRAWING
- ELECTRICAL CHARACTERISTICS:  
4-1.CURRENT RATING: 1.8A (PIN1,4) ; OTHER CONTACTS 0.25A  
4-2.CONTACT RESISTANCE: 30mΩ MAX.  
4-3.INSULATION RESISTANCE: 100MΩ MIN. @ 500V DC FOR 1 MINUTE.  
4-4.DIELECTRIC WITHSTAND VOLTAGE: 300V AC FOR 1 MINUTE.
- MECHANICAL CHARACTERISTICS:  
INSERTION FORCE: 25N MAX.  
WITHDRAWAL FORCE: 10~25N(INITIAL). 8~25N(AFTER TEST).
- LIFT TEST: 5000 CYCLES.
- SPEC. PLS. REFER TO SPEC-55928-XXXXX-XXX(ASUS)
- PACKING REFER TO 55928-XXXXX-XX-TRP
- PART NUMBER  
55928-009XX-00X

NO	DESCRIPTION	Q'TY	MATERIAL	PLATING/COLOR
E	SIDE MYLAR	2		
D	SHELL	1	SUS201-1/2H, 0.3t	40~100u" NICKEL PLATED
C	TERMINAL 3.0	5	C2680-H, 0.2t	GOLD FLASH
B	TERMINAL 2.0	4	C5210-EH, 0.25t	GOLD FLASH
A	HOUSING	1	PA9T +45%G.F, UL94V-0	BLACK

一般公差 TOLERANCES	
X	±0.5 .XX ±0.15
X	±0.25 .XXX ±0.10
ANGLES ±2°	

宏致電子股份有限公司  
Aces Electronics Co.,Ltd.

檢驗尺寸標示		品名 (TITLE)		製圖 (DR)	
SYMBOLS	⊕ ⊗ INDICATE DIMENSION	USB 3.0 RECEPTACLE, SINK REVERSE DIP TYPE (CH:-3mm)		15'/10/08	ERIC
⊕	MARK IS CRITICAL DIM.	圖號 (DWG.NO)		審核 (CHKD)	AMY
⊗	MARK IS MAJOR DIM.	55928-XXXXX-XXX		核准 (APPD)	FI
表面處理 (FINISH)	比例 (SCALE)	單位 (UNITS)	張數 (SHEET)	SIZE	REV
	2:1	mm	1 OF 1	A4	A